

ACアダプター仕様書




PATOS®

直流安定化出力 Type

『トランス方式』

提出日


仕様書NO DK201105-0900

- | | | | | | | | | | | | | | | | | | | | | | | | | | | | | | | | | | | | | | | | | | | | | | | | | | | | | | | | | | | | | | |
|--------|---|----------------|---------|------|----|-------|--|-----|--|----------|--|------|--|-------|--|------|----|----------|--------|------|----|---------|---------|------|--|--------|--|------|-------------------------|------|-------------------------|--------|-------------|------|----|-------|-----|--|----------|------|--|-------------|------|--|----------------|-----|--|-----|--|--------|----|--------------|-------|----|-------|--|----|-------|--|----|--------|
| 1 形式 | DK090-R | 安定化回路 | 有 | | | | | | | | | | | | | | | | | | | | | | | | | | | | | | | | | | | | | | | | | | | | | | | | | | | | | | | | | | |
| 2 外観 | 添付図面参照 | | | | | | | | | | | | | | | | | | | | | | | | | | | | | | | | | | | | | | | | | | | | | | | | | | | | | | | | | | | | |
| 3 特性 | <ul style="list-style-type: none"> ◆ 定格事項 <table border="0" style="margin-left: 20px;"> <tr> <td>入力電圧</td> <td>AC</td> <td>100 V</td> <td></td> </tr> <tr> <td>周波数</td> <td></td> <td>50/60 Hz</td> <td></td> </tr> <tr> <td>消費電力</td> <td></td> <td>14 VA</td> <td></td> </tr> <tr> <td>出力電圧</td> <td>DC</td> <td>9 V± 10%</td> <td>(無負荷時)</td> </tr> <tr> <td>出力電圧</td> <td>DC</td> <td>9 V± 5%</td> <td>(定格負荷時)</td> </tr> <tr> <td>出力電流</td> <td></td> <td>500 mA</td> <td></td> </tr> </table>
 ◆ 絶縁 <table border="0" style="margin-left: 20px;"> <tr> <td>絶縁抵抗</td> <td>50MΩ (入力, ケース各間 DC500V)</td> </tr> <tr> <td>絶縁耐力</td> <td>AC1200V 1分間 (1500V 1秒間)</td> </tr> </table>
 ◆ 回路保護 <table border="0" style="margin-left: 20px;"> <tr> <td>温度ヒューズ</td> <td>(115°C/一次側)</td> </tr> </table>
 ◆ 動作環境 <table border="0" style="margin-left: 20px;"> <tr> <td>入力電圧</td> <td>AC</td> <td>100 V</td> </tr> <tr> <td>周波数</td> <td></td> <td>50/60 Hz</td> </tr> <tr> <td>温度範囲</td> <td></td> <td>0°C ~ +40°C</td> </tr> <tr> <td>湿度範囲</td> <td></td> <td>20 ~ 85% (非結露)</td> </tr> </table>
 ◆ 規格 <table border="0" style="margin-left: 20px;"> <tr> <td>PSE</td> <td style="text-align: center;">  </td> </tr> </table> ◆ 入力方式 <table border="0" style="margin-left: 20px;"> <tr> <td>刃形式</td> <td></td> </tr> </table>
 ◆ 出力方式 <table border="0" style="margin-left: 20px;"> <tr> <td>出力コード式</td> <td>長さ</td> <td>1.8 m ±100mm</td> </tr> <tr> <td>出力プラグ</td> <td>外径</td> <td>5.5 φ</td> </tr> <tr> <td></td> <td>内径</td> <td>2.1 φ</td> </tr> <tr> <td></td> <td>長さ</td> <td>9.5 mm</td> </tr> </table> | | | 入力電圧 | AC | 100 V | | 周波数 | | 50/60 Hz | | 消費電力 | | 14 VA | | 出力電圧 | DC | 9 V± 10% | (無負荷時) | 出力電圧 | DC | 9 V± 5% | (定格負荷時) | 出力電流 | | 500 mA | | 絶縁抵抗 | 50MΩ (入力, ケース各間 DC500V) | 絶縁耐力 | AC1200V 1分間 (1500V 1秒間) | 温度ヒューズ | (115°C/一次側) | 入力電圧 | AC | 100 V | 周波数 | | 50/60 Hz | 温度範囲 | | 0°C ~ +40°C | 湿度範囲 | | 20 ~ 85% (非結露) | PSE |  | 刃形式 | | 出力コード式 | 長さ | 1.8 m ±100mm | 出力プラグ | 外径 | 5.5 φ | | 内径 | 2.1 φ | | 長さ | 9.5 mm |
| 入力電圧 | AC | 100 V | | | | | | | | | | | | | | | | | | | | | | | | | | | | | | | | | | | | | | | | | | | | | | | | | | | | | | | | | | | |
| 周波数 | | 50/60 Hz | | | | | | | | | | | | | | | | | | | | | | | | | | | | | | | | | | | | | | | | | | | | | | | | | | | | | | | | | | | |
| 消費電力 | | 14 VA | | | | | | | | | | | | | | | | | | | | | | | | | | | | | | | | | | | | | | | | | | | | | | | | | | | | | | | | | | | |
| 出力電圧 | DC | 9 V± 10% | (無負荷時) | | | | | | | | | | | | | | | | | | | | | | | | | | | | | | | | | | | | | | | | | | | | | | | | | | | | | | | | | | |
| 出力電圧 | DC | 9 V± 5% | (定格負荷時) | | | | | | | | | | | | | | | | | | | | | | | | | | | | | | | | | | | | | | | | | | | | | | | | | | | | | | | | | | |
| 出力電流 | | 500 mA | | | | | | | | | | | | | | | | | | | | | | | | | | | | | | | | | | | | | | | | | | | | | | | | | | | | | | | | | | | |
| 絶縁抵抗 | 50MΩ (入力, ケース各間 DC500V) | | | | | | | | | | | | | | | | | | | | | | | | | | | | | | | | | | | | | | | | | | | | | | | | | | | | | | | | | | | | |
| 絶縁耐力 | AC1200V 1分間 (1500V 1秒間) | | | | | | | | | | | | | | | | | | | | | | | | | | | | | | | | | | | | | | | | | | | | | | | | | | | | | | | | | | | | |
| 温度ヒューズ | (115°C/一次側) | | | | | | | | | | | | | | | | | | | | | | | | | | | | | | | | | | | | | | | | | | | | | | | | | | | | | | | | | | | | |
| 入力電圧 | AC | 100 V | | | | | | | | | | | | | | | | | | | | | | | | | | | | | | | | | | | | | | | | | | | | | | | | | | | | | | | | | | | |
| 周波数 | | 50/60 Hz | | | | | | | | | | | | | | | | | | | | | | | | | | | | | | | | | | | | | | | | | | | | | | | | | | | | | | | | | | | |
| 温度範囲 | | 0°C ~ +40°C | | | | | | | | | | | | | | | | | | | | | | | | | | | | | | | | | | | | | | | | | | | | | | | | | | | | | | | | | | | |
| 湿度範囲 | | 20 ~ 85% (非結露) | | | | | | | | | | | | | | | | | | | | | | | | | | | | | | | | | | | | | | | | | | | | | | | | | | | | | | | | | | | |
| PSE |  | | | | | | | | | | | | | | | | | | | | | | | | | | | | | | | | | | | | | | | | | | | | | | | | | | | | | | | | | | | | |
| 刃形式 | | | | | | | | | | | | | | | | | | | | | | | | | | | | | | | | | | | | | | | | | | | | | | | | | | | | | | | | | | | | | |
| 出力コード式 | 長さ | 1.8 m ±100mm | | | | | | | | | | | | | | | | | | | | | | | | | | | | | | | | | | | | | | | | | | | | | | | | | | | | | | | | | | | |
| 出力プラグ | 外径 | 5.5 φ | | | | | | | | | | | | | | | | | | | | | | | | | | | | | | | | | | | | | | | | | | | | | | | | | | | | | | | | | | | |
| | 内径 | 2.1 φ | | | | | | | | | | | | | | | | | | | | | | | | | | | | | | | | | | | | | | | | | | | | | | | | | | | | | | | | | | | |
| | 長さ | 9.5 mm | | | | | | | | | | | | | | | | | | | | | | | | | | | | | | | | | | | | | | | | | | | | | | | | | | | | | | | | | | | |

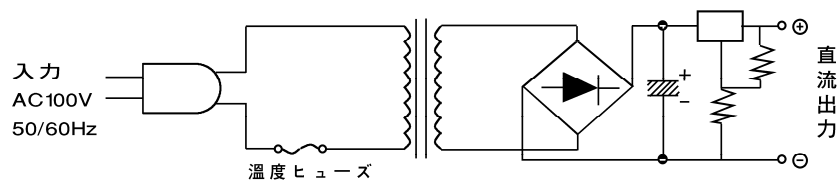
★ プラグセンター



プラグ形状

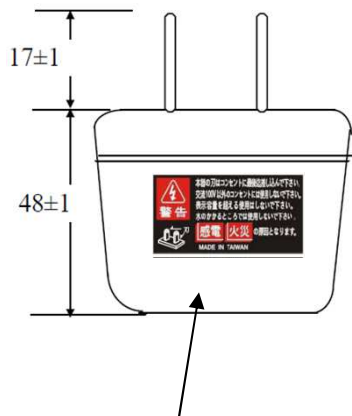
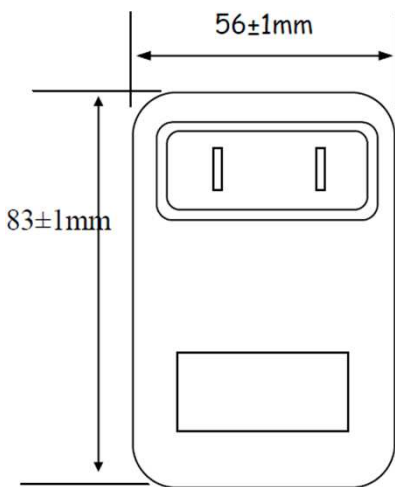
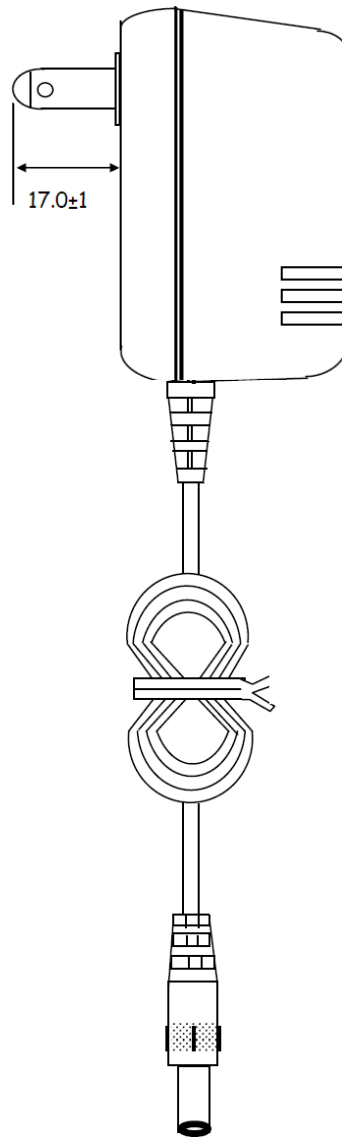
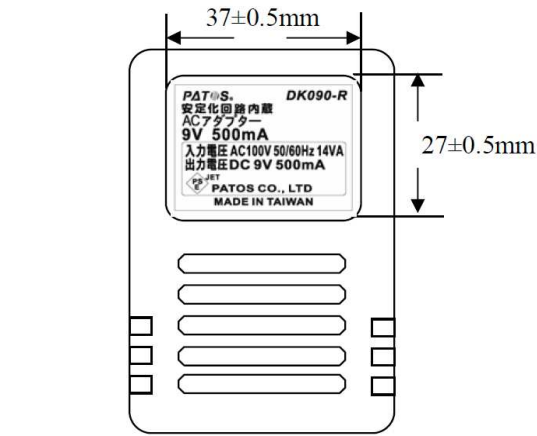
ストレート 

4 回路図



改定月日	内容	担当	改定月日	内容	担当	作成
2016/1/21	トラッキング対策	K.K				K.K

株式会社 パトス



指定無き外形寸法精度 ±1mm

筐体材質: PC945

お客様

様經由

型式	DK090-R	図番	P-	改定月日	内容	担当	作成
改定月日	2016/1/21	内容	トラッキング対策	担当	K.K		K.K